

Snap-tite 75 Series

Screw-to-Connect Couplings



Heavy Duty Threaded Connection in a Wide Range of Sizes

The rugged 75 Series is designed and constructed for high pressure hydraulic service. Although these couplings are used in a broad variety of heavy duty applications, a primary usage is in oil fields and offshore drilling. Other applications include cranes, power tongs, horizontal boring and dewatering.

Available in sizes 3/4" through 4", in steel or stainless steel construction. The 3/4" size has a hex nut sleeve. All other sizes have a wing nut style connection.



Contact Information: 75 Series Features:

Parker Hannifin Manufacturing
Sweden AB
Quick Coupling Division Europe
Västra Skogsrovägen 1
54106 Skövde – Sweden

Phone +46 500 44 36 00
Fax +46 500 44 36 20
tema-rfq@parker.com

www.parker.com

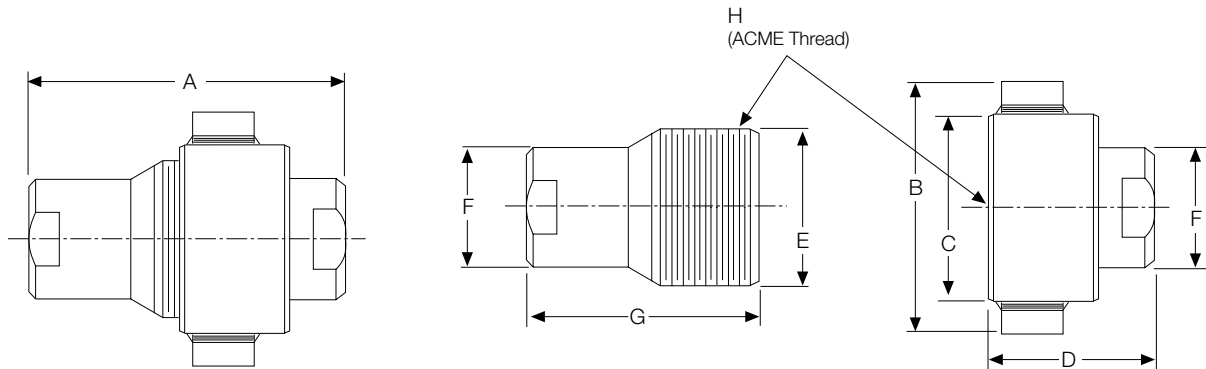
- Connect under residual pressure
- Up to 345 bar rated pressures
- Screw-to-connect
- Rugged steel construction with zinc trivalent chromate plating
- Stainless steel construction also available
- Wide range of sizes
- Choice of seal materials to handle a variety of fluids
- DBP version is "Fire Safe" rated to API 16D



ENGINEERING YOUR SUCCESS.

Technical and Dimensional Information

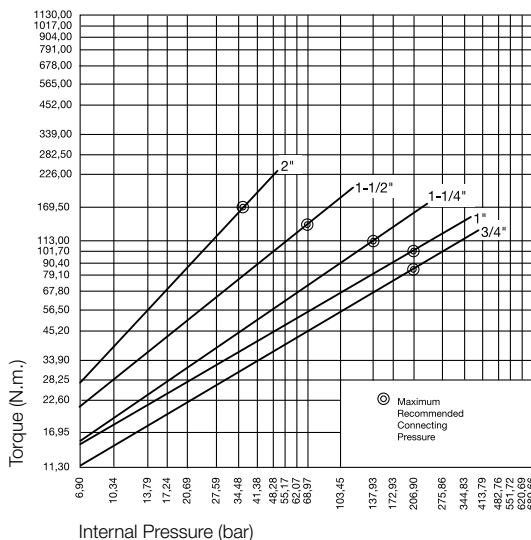
Size: 3/4" thru 4"



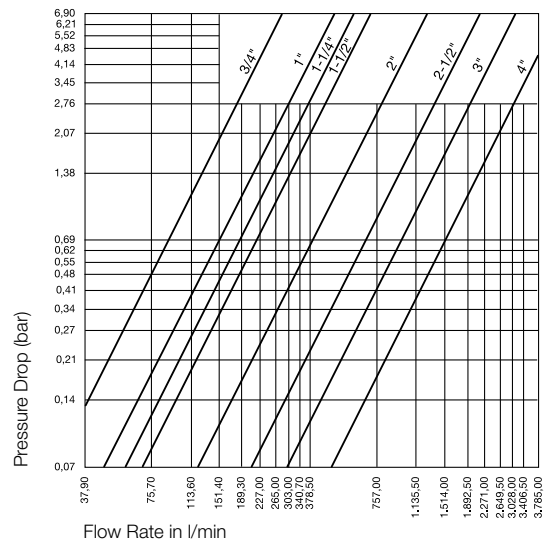
Size	A mm	B mm	C (Ø) mm	D mm	E (Ø) mm	F mm	G mm	H (ACME)
3/4"	123,19		47,50 ¹	72,14	44,45	34,29	83,06	1 3/4"-8
1"	153,32	107,95	69,85	87,63	57,15	44,96	105,92	2 1/4"-6
1 1/4"	197,10	120,65	82,55	111,76	66,55	54,36	136,14	2 5/8"-6
1 1/2"	220,98	146,05	95,25	128,02	82,30	63,50	151,64	3 1/4"-4
2"	225,27	171,45	120,65	154,18	101,60	82,55	179,07	4"-4
2 1/2"	257,30	203,20	152,40	134,37	127,00	85,85	189,48	5"-4
3"	268,73	215,90	165,10	148,34	152,40	107,95	209,80	6"-4
4"	313,94	279,40	177,80	180,59	168,40	133,35	238,76	6 5/8"-4

¹ Hex dimensions are taken from flat of hex and not across corners.
 Decimal dimensions are ± 1.5 mm.
 Dimensions are subject to change without notice.
 Part configurations are typical and do not necessarily represent actual appearance.
Note: Wrench flats are special order. See "How to Order".

Torque Values for Connecting Under Pressure



Flow Chart



Technical and Dimensional Information

Size: 3/4" thru 4"

Size	Spillage (cc)	Air Inclusion (cc)	Steel				316 Stainless Steel (Connected Only)	
			Max. Working Pressure		Max. Burst Pressure		Max. Working Pressure	
			PSI	Bar	PSI	Bar	PSI	Bar
3/4"	8	12	5.000	345	20.000	1.379	3.000	207
1"	16	25	5.000	345	20.000	1.379	3.000	207
1 1/4"	31	48	5.000	345	15.000	1.035	3.000	207
1 1/2"	64	98	5.000	345	15.000	1.035	3.000	207
2"	141	205	5.000	345	15.000	1.035	3.000	207
2 1/2"	204	368	3.000	207	6.000	414	-	-
3"	320	480	3.000	207	6.000	414	-	-
4"	400	610	400	28	1.000	69	-	-

Burst pressures listed were taken at the point at which failure rendered the quick-disconnect inoperative. (Proof pressure equals 1-1/2 times the operating pressure).

NOTE: Pressure Ratings were established under static pressure conditions.

For impulse applications contact your Parker sales team.

Dust Plugs and Caps

Size	Dust Plug	Dust Cap
3/4"	75MDP-12	75MDC-12
1"	75MDP-16	75MDC-16
1 1/4"	75MDP-20	75MDC-20
1 1/2"	75MDP-24	75MDC-24
2"	75MDP-32	75MDC-32
2 1/2"	75MDP-40	75MDC-40
4"	75MDP-64	75MDC-64

Repair Kits

Size	Coupling Kit	Plug Kit	O-Ring / Back-Up Ring
3/4"	75C12-SPK	75N12-SPK	75-12-56
1"	75C16-SPK	75N16-SPK	75-16-56
1 1/4"	75C20-SPK	75N20-SPK	75-20-56
1 1/2"	75C24-SPK	75N24-SPK	75-24-56
2"	75C32-SPK	75N32-SPK	75-32-56
2 1/2"	75C40-SPK	75N40-SPK	75-40-56
4"	75C64-SPK	75N64-SPK	75-64-56

Ordering Information

	75	C	12	-	12	F			
			Coupling Body Size: 12 = 3/4" 32 = 2" 16 = 1" 40 = 2-1/2" 20 = 1-1/4" 48 = 3" 24 = 1-1/2" 64 = 4"						
		Coupling Half: C = Coupler N = Nipple			End Fitting Size: 12 = 3/4" 32 = 2" 16 = 1" 40 = 2-1/2" 20 = 1-1/4" 48 = 3" 24 = 1-1/2" 64 = 4"				
					End Fitting Type: F ¹ = Female Pipe NPTF for Steel - NPT for 316 SST EF = Female SAE RP = Female British Parallel BS2779				
	Series: 75								
Material: Blank = Steel plated S = 316 Stainless Steel							Seals: Blank = NBR V = FKM E = EPDM		
								Options: W ² = Wrench Flats on body	
									Options: DBP ³ = "Fire Safe" BOP version 3/4" thru 2" steel sizes only available with end fitting typ F*

¹ For sizes up to 3", NPTF threads. For sizes over 3", NPT threads.

² Not available on 2" EF coupler. Standard on 2-1/2" and larger sizes (code not needed).

³ DBP available in 3/4" through 2" sizes. Steel material only.

Note: Seal material code not applicable with DBP option-leave blank.

Notes:

Not all configurations are standard product offering.
Contact your Parker sales team for price and delivery.

