

Adaptors to build a G 16000 H for one hand use

MD extension with ball bearings and needle bearing, steel shaft and multitooth coupling, 100 or 200 mm for maximum 1000 mm length for free hand work. Suitable for use with G 100 H also. Steel rod does not lengthen and ensures more power at the mounted collet side.

Adaptor to attach carbide burs/ mounted points with inner thread. Sizes available: M12, M14, 5/8" UNC, 1/2" Whitford

GL 16000 H, assembled tool with MD extension. Available with 12- or 16000 rpm

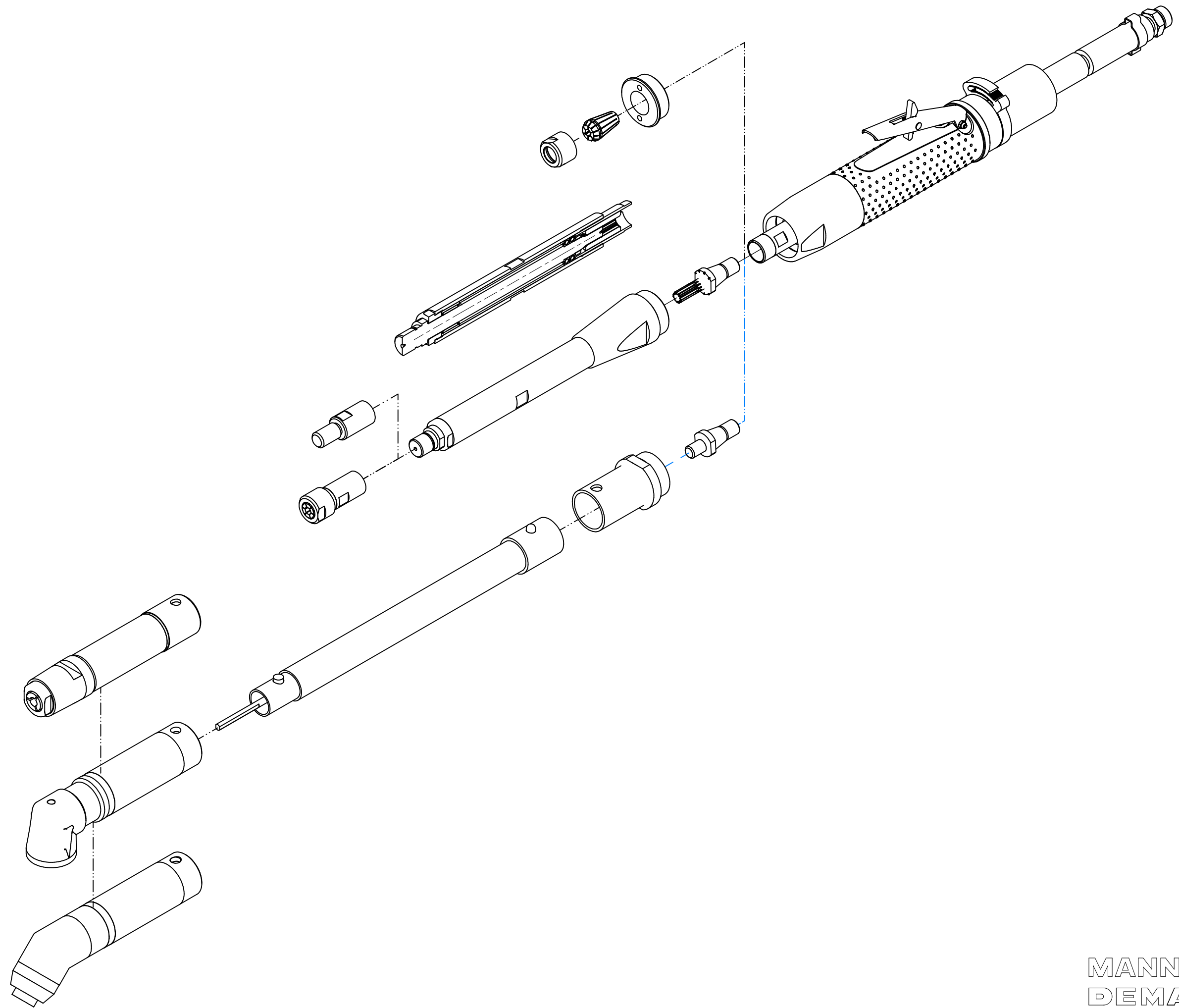
Adaptor-set DIN M10x30 to attach flexible shaft extension, e.g. Atlas Copco, Pferd, Suhner

Explanations
Red marked parts are included in the GL 16000 H

Green marked parts are available as accessories, suitable for grinder G 100 H also

Blue marked parts are available as accessories and other suppliers' parts can be used as well.

Extension with flexible shaft, standard sizes: Diameter 33mm, length 250 and 500mm (1000mm or other diameters upon request). Interchangeable e.g. with Pferd, Atlas Copco



MANNESMANN
DEMAG